

No	Part	Material
1	Body	Brass
2	Bonnet	Brass
3	Ball	Brass
4	Seat Ring	PTFE
5	Stem	Brass
6	Packing Rings	PTFE
7	Packing Rings	PTFE
8	Washer	Brass
9	Handle	Stainless Steel
10	Nut	SS/Brass

## BALL VALVE ( DF-BBV-1100 )

G	DN	L	L1	H	L2
1/2	15	54	13.5	50	95
3/4	20	61	14.2	57.5	105
1	25	72	16.5	62.5	115
1 1/4	32	83	17	77.5	135
1 1/2	40	93	18.5	89	155
2	50	110	20.5	95.5	155

**STAINLESS STEEL  
HANDLE**

**HIGH QUALITY  
KUNINGAN**

**100 % NON  
MAGNETIC**

**Teknologi  
JAPAN**

**Anti  
Bocor**

# KRAN SHOWER STAINLESS ( 304 )

# KRAN SHOWER CHROME



1/2"

1/2"

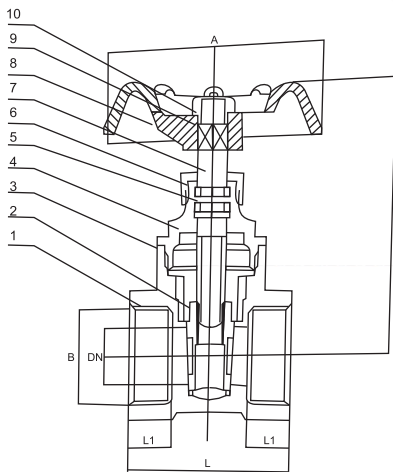
STAINLESS STEEL  
HANDLE

HIGH QUALITY  
KUNINGAN

100 % NON  
MAGNETIC

Teknologi  
JAPAN

Anti  
Bocor



# GATE VALVE

## ( DF-GTV-1400 )

NO	Part	Material
1	Body	Brass
2	Disc	Brass
3	Gasket	Brass
4	Cap	Brass
5	O-ring	NBR
6	Gland Nut	Brass
7	Stem	Brass
8	Handwheel	Q235
9	Name Plate	AL
10	Nut	Stainless/Brass

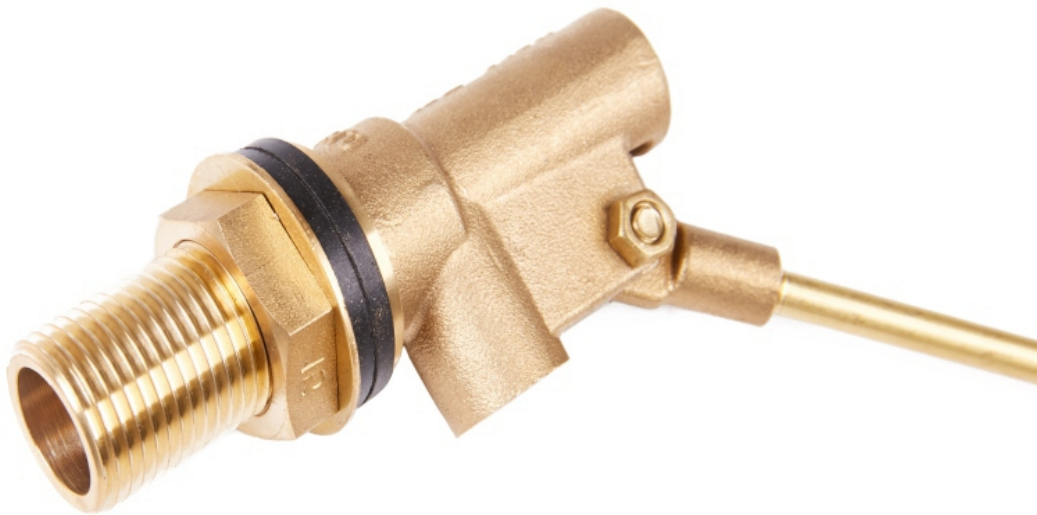
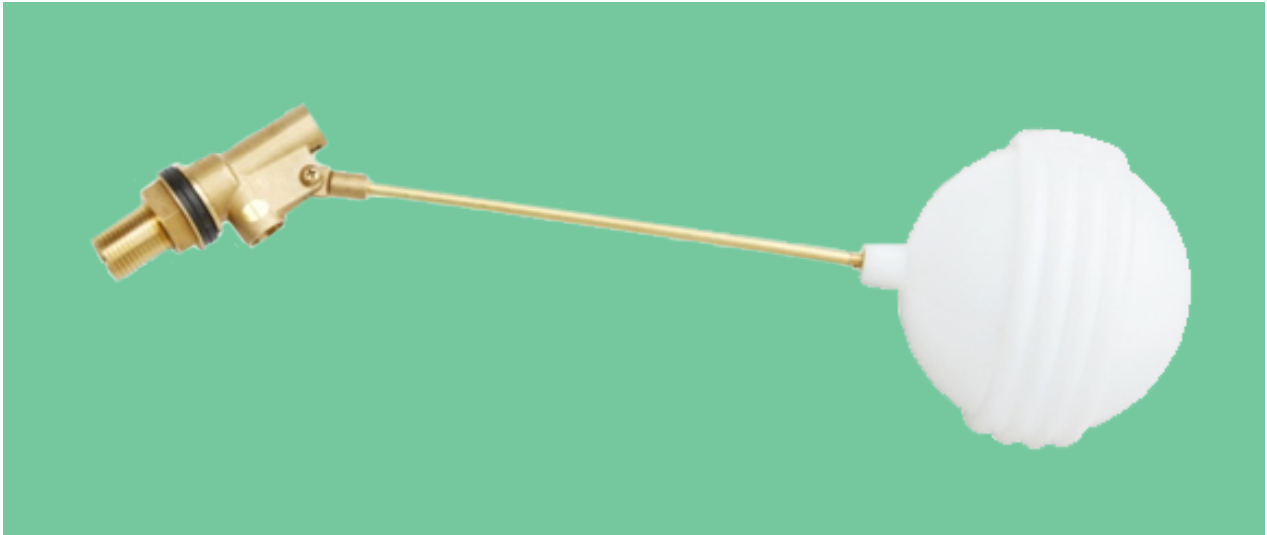
Working Temperature:	$-20^{\circ} \text{C} \geq t \leq 180^{\circ} \text{C}$
Working Pressure	: 16 bar, Max.=25 bar
Working Medium	: Water, Oil, non-causticity Liquid
Thread	: BSPT/JISB203/0202

SIZE	A	H	L	L1	DN
1/2	53	62	43	12.5	15
3/4	53	70	42	11	20
1	59	79	45.5	12	25
1 1/4	59	90	48	13	32
1 1/2	72	97.5	52	13	40
2	78	115	60	15	50

**HIGH QUALITY  
KUNINGAN**

**Teknologi  
JAPAN**

**Anti  
Bocor**



# PELAMPUNG KUNINGAN

( DF-FLV )

SIZE	BOX	CARTON
1/2 "	2 Pc	24 Pc
3/4 "	2 Pc	24 Pc
1"	2 Pc	24 Pc

**HIGH QUALITY  
KUNINGAN**

**100 % NON  
MAGNETIC**

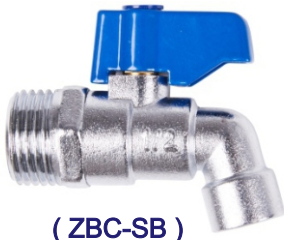




( ZBC-LB )

## KRAN PANJANG BC BIBCOCK LONG BODY

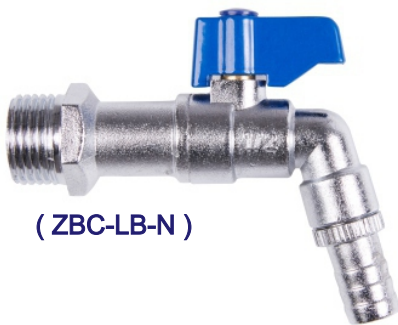
1/2" x 1/2"  
1/2" x 3/4"



( ZBC-SB )

## KRAN PENDEK BC BIBCOCK SHORT BODY

1/2" x 1/2"



( ZBC-LB-N )

## KRAN NOZZLE BC BIBCOCK LONG BODY NOZZLE

1/2" x 1/2"



( ZBC-BLK )

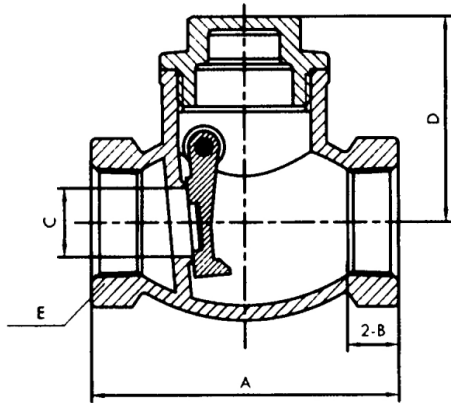
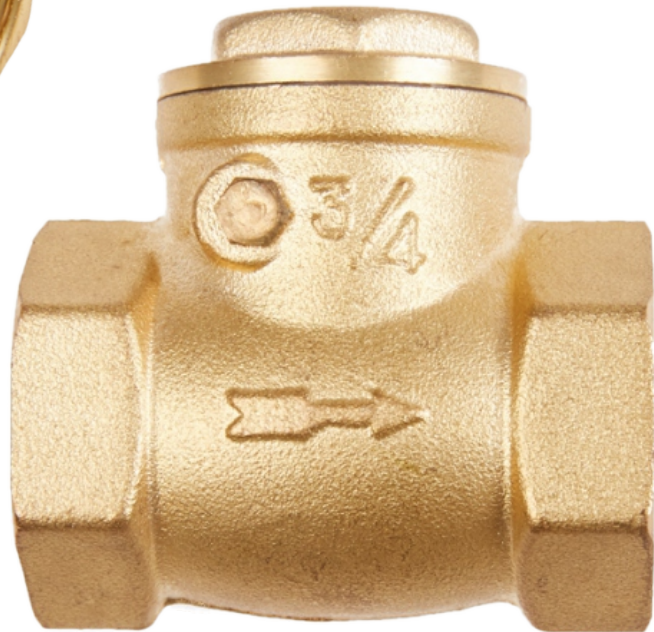
## KRAN HITAM BC BIBCOCK LONG BODY BLACK

1/2" x 1/2"  
1/2" x 3/4"

PARTS	MATERIAL
BODY	ZINC
BALL	BRASS
SEAL	PTFE
HANDLE	ALUMINIUM

100 % NON  
MAGNETIC





**1/2" 3/4"**  
**1" 1.1/4" 1.1/2"**  
**2" 2.1/2" 3" 4"**

Working Pressure	1.6Mpa
Seat Test Pressure	0.6Mpa
Shell Test Pressure	2.4Mpa
Working Medium	Water, Non-Causticity Liquid
Thread	BSPTJISB203/0202
Working Temperature	-20oC ≤ 120oC
Max Temperature	-20oC ≤ 150oC

## **T CHECK VALVE**

( DF-HCV - 1600 )

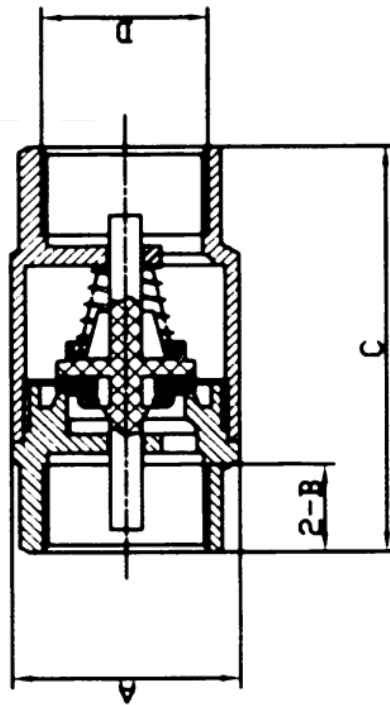
**HIGH QUALITY  
KUNINGAN**

**100 % NON  
MAGNETIC**





**DF-VCV 1503BP**



**1"**

Working Pressure	1.6Mpa
Seat Test Pressure	0.6Mpa
Shell Test Pressure	2.4Mpa
Working Medium	Water, Non-Causticity Liquid
Thread	BSPTJISB203/0202
Working Temperature	-10oC ≥ 1 ≤ 80°C
Max Temperature	-10oC ≥ 1 ≤ 80°C

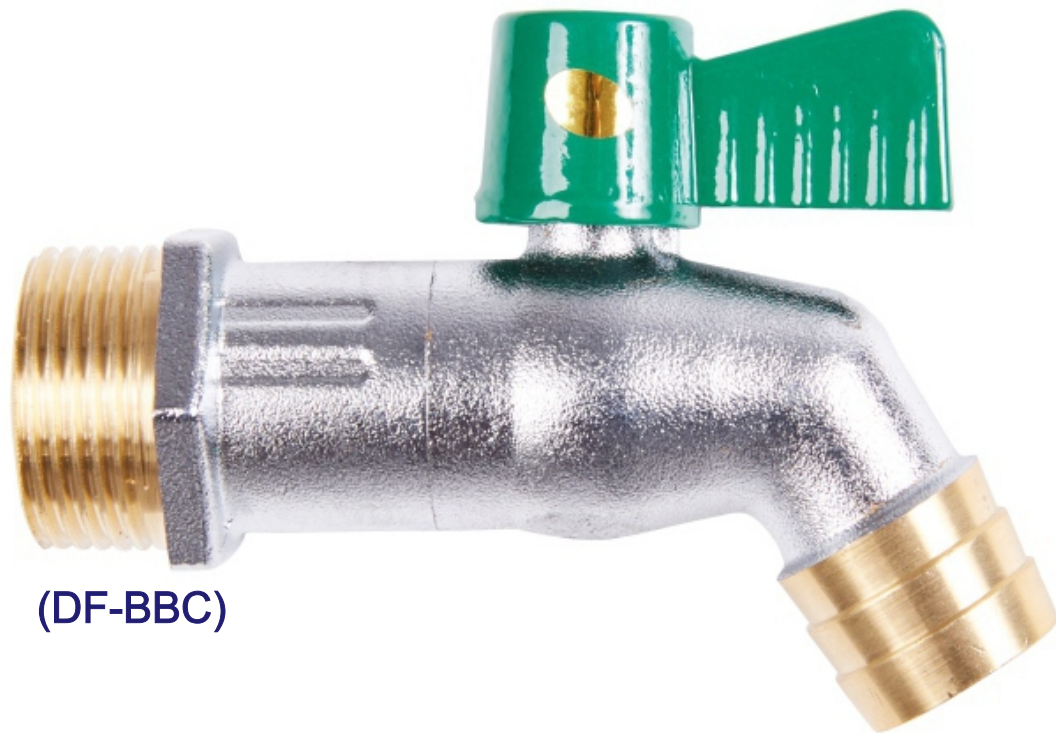
## **TUSEN KLEP KUNINGAN PIN**

**HIGH QUALITY  
KUNINGAN**

**100 % NON  
MAGNETIC**

**Teknologi  
JAPAN**

**Anti  
Bocor**



(DF-BBC)

## KRAN KUNIANGAN BRASS BIBCOCK

1/2" x 1/2"

1/2" x 3/4"

3/4" x 3/4"

HIGH QUALITY  
KUNINGAN

100 % NON  
MAGNETIC





1"

## TUSEN KLEP KUNINGAN PIN DENGAN FILTER STAINLESS

( DF-VFV-1553BP )

HIGH QUALITY  
KUNINGAN

100 % NON  
MAGNETIC

Teknologi  
JAPAN

Anti  
Bocor



**1/2" 3/4" 1"  
1.1/4" 1.1/2"  
2" 2.1/2" 3" 4"**

## **FILTER STAINLESS**

**100 % NON  
MAGNETIC**

**Teknologi  
JAPAN**

**Anti  
Bocor**



**1/2" 3/4"**

## **SELANG SHOWER**

**HIGH QUALITY  
KUNINGAN**

**100 % NON  
MAGNETIC**

**Teknologi  
JAPAN**

**Anti  
Bocor**



**1/2" 3/4"**  
**1" 1.1/4" 1.1/2"**  
**2" 2.1/2" 3" 4"**

## **BALL VALVE PVC**





**SIZE : 1/2" 3/4"**

**PANJANG : 60 70 80 90 100 120**

**SELANG SHOWER TOILET**

**STAINLESS STEEL  
HANDLE**

**100 % NON  
MAGNETIC**





**1/2" 3/4"**  
**1" 1.1/4" 1.1/2"**  
**2" 2.1/2" 3" 4"**

**TUSEN KLEP NYLON PIN  
( DF-VCV 1500 )**

**STAINLESS STEEL  
HANDLE**

**HIGH QUALITY  
KUNINGAN**

**100 % NON  
MAGNETIC**

**Teknologi  
JAPAN**

**Anti  
Bocor**



1/2"

## SAFETY VALVE ( ART NO: DF-SFV 101 )

STAINLESS STEEL  
HANDLE

HIGH QUALITY  
KUNINGAN

100 % NON  
MAGNETIC

Teknologi  
JAPAN

Anti  
Bocor